

# Quality GRP Overdoor Canopies



Conisborough Roof shown with fluted columns.  
Can also be used as a porch assembly.

## The Conisborough



## The Balmoral Shell



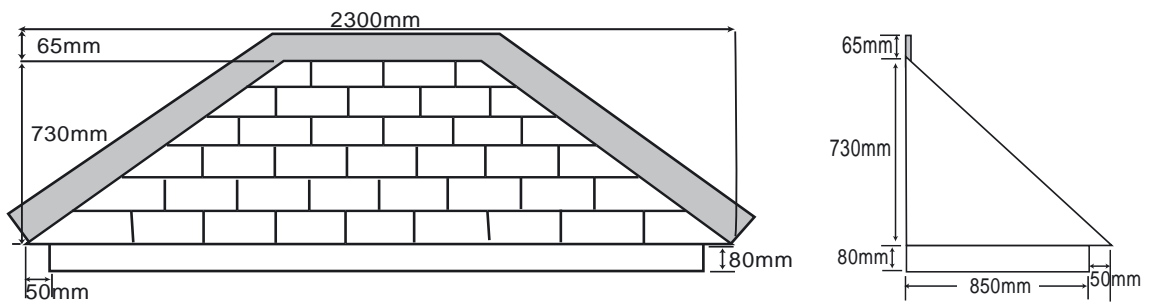
## The Balmoral Plain



*fast easy installation!*

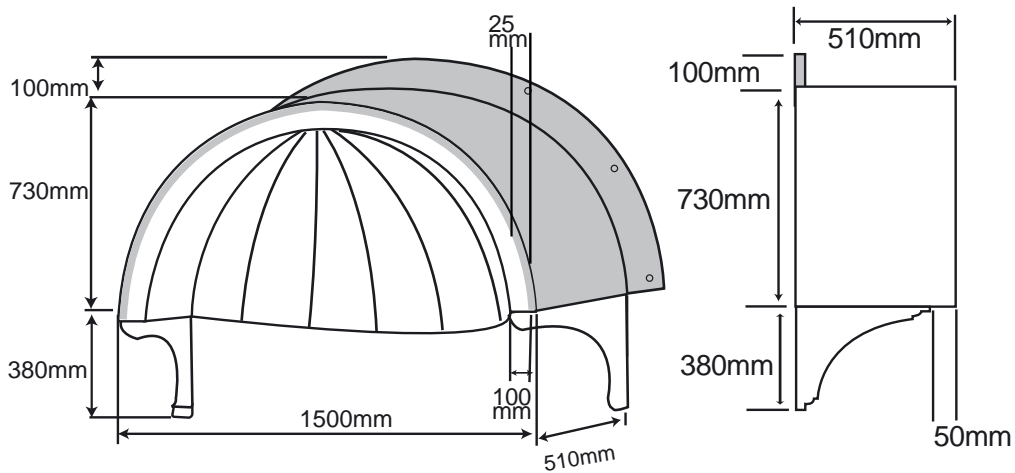
Please see reverse for technical information

## Conisborough



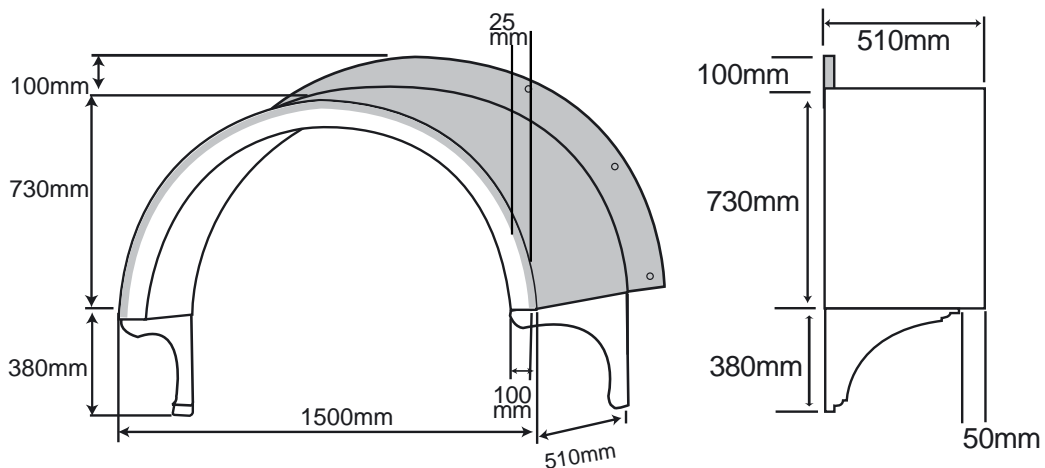
## Balmoral Shell

Available for single door size only



## Balmoral Plain

Available for single door size only



All canopies are supplied with fixing kit and instructions

- Beautiful Moulded Design
- Made in Strong Rigid Fibreglass
- Transforms & Protects any Doorway
- Available in White & Brown
- Fast Easy Installation
- Totally Maintenance Free
- Delivered Approx' 7-14 Days
- Fully Guaranteed

# Quality GRP Overdoor Canopies

## The Berkley Extended



(Maximum length 4200mm) Mono pitched clay-tiled effect in choice of colour, with close boarded woodgrained gable and soffit detailing. Includes GRP brackets (BRG7).

## The Berkley



(1250mm long) Mono pitched canopy with traditional clay-tile effect in choice of colour, with close boarded gable and soffit detailing. Includes GRP brackets (BRG7).

## The Berkley 1420



(1420mm projection.) Shown as part of a porch assembly.

## The Berkley Bay Top



Same details as the standard Berkley 650.



*beautiful moulded design*

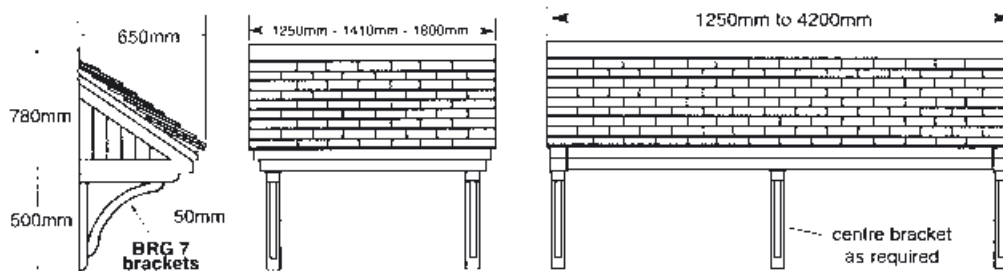
Please see reverse for technical information

## The Berkley 650 Projection

The Berkley is available in three standard widths:

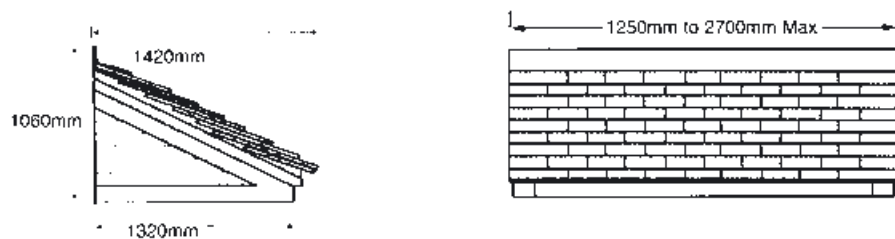
1250mm - 1410mm - 1800mm overall and also in custom widths between 1250mm - 3200mm.

There is a choice of woodgrain or whitegrain for the soffit and grey or terracotta red for the tiles.



## The Berkley 1420 Projection

### Porch Canopy Roof



All canopies are supplied with fixing kit and instructions

- *Beautiful Moulded Design*
- *Made in Strong Rigid Fibreglass*
- *Transforms & Protects any Doorway*
- *Available in Whitegrain & Browngrain*
- *Fast Easy Installation*
- *Totally Maintenance Free*
- *Delivered Approx' 7-14 Days*
- *Fully Guaranteed*

# Quality GRP Bow Canopies

*fast & easy installation!*



## THE ANSWER TO YOUR BOW WINDOW INSTALLATION PROBLEMS

- *Fast Easy Installation*
- *Totally Maintenance Free*
- *One Piece Leak-Proof Moulding*
- *Foam-Filled / Unfilled Optional*
- *Lead-Look Top Now Available*
- *Available in 3 Shades of White, Dark Brown & Light Oak, Rosewood*
- *Strong Rigid Fibreglass*
- *Any Opening from 1500 to 3400*
- *Next Day Delivery Available*

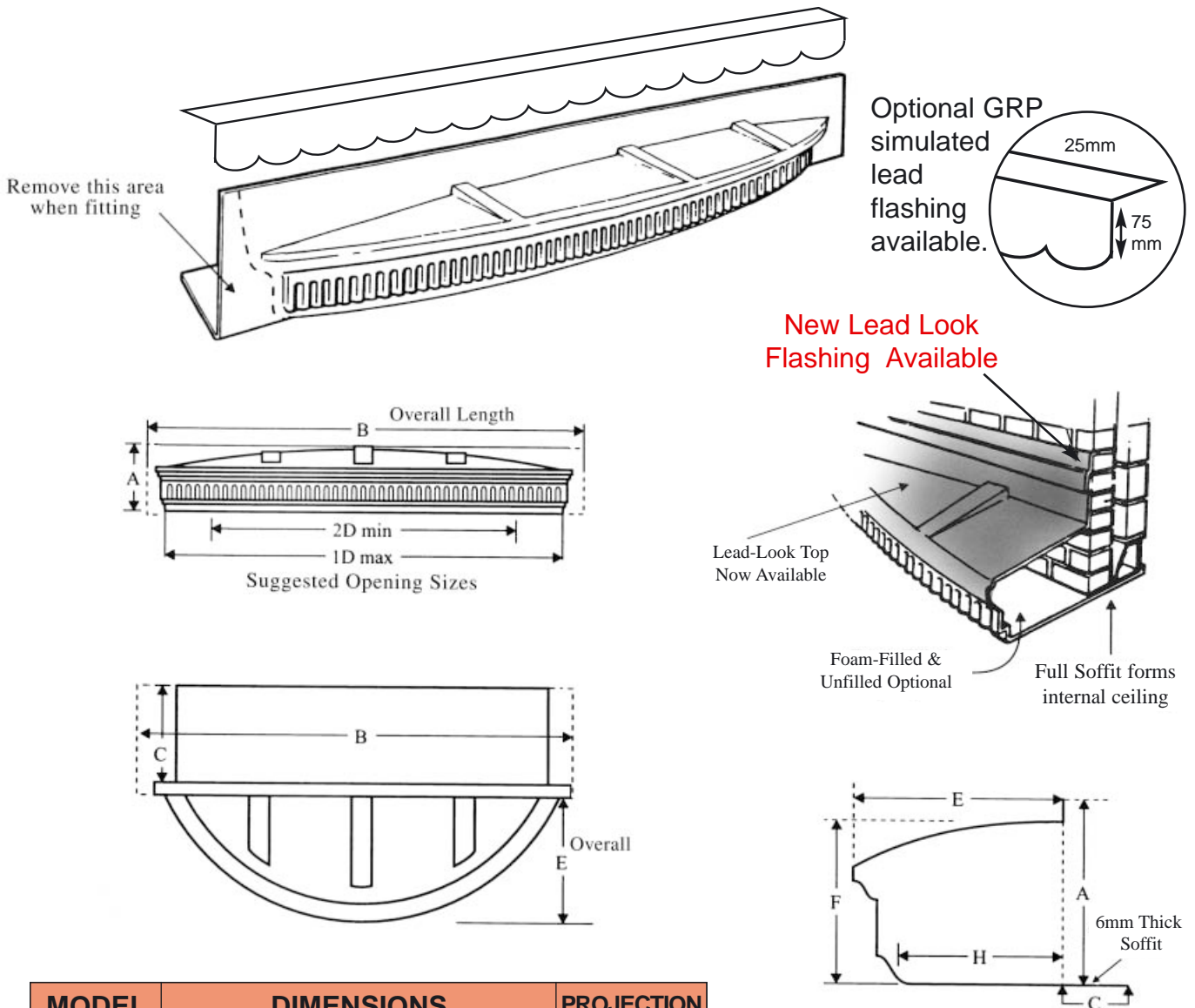


*...totally maintenance free*

Please see reverse for technical information

# GLASS REINFORCED BOW CANOPIES

*The answer to your fitting problems  
All we need is your brickwork opening size.*



MODEL	DIMENSIONS							PROJECTION
SIZE	A	B	C	1D	2D	E	F	H
1800 Canopy	250	2360	300	1900	1500	256	200	175mm
2400 Canopy	300	2830	300	2500	1900	390	250	310mm
2800 Canopy	310	3150	300	2800	2500	460	260	360mm
3400 Canopy	330	3730	300	3400	2800	590	280	490mm

Manufactured in strong rigid G.R.P. this beautifully designed canopy is available for any opening between 1500 and 3400. Available in three shades of white, chocolate brown, oak and rosewood. Cuts fitting time to a minimum and can be completed by an installer, eliminating lead work and plaster ceilings etc. No need for specialist contractors to finish the job.

## *fast & easy installation!*

### Mk. 1 Base Units



Mk 1 Base Units, manufactured from strong rigid glass reinforced plastic, these units are designed for fast and easy installation.

Fully moulded bottom with bracket attached in one piece with a 12mm mahogany plywood window board.

PVC skin can be bonded onto top surface to create a strong window board.

Available in three sizes - 1800 - 2400 - 2800mm.  
For use in conjunction with our Bow Bay Canopies.

### Mk. 2 Base Units



Mk 2 Base Units, this revolutionary development in GRP closed tool process allows us to make a complete double sided finished base with no seams or joins. The first base unit ever to be made by this new process.

Fully insulated, encapsulated inside for invisible fixing underneath, forms your internal and external sills. Comes complete with separate bracket.

It's never been easier to install a bow window, saving you time and money.

**Base Units are available in:**

- 3 Shades of White: Standard, Ultra, Deeplas
- Chocolate Brown, Light Oak and Rosewood



## *adds value to your property*

Please see reverse for technical information

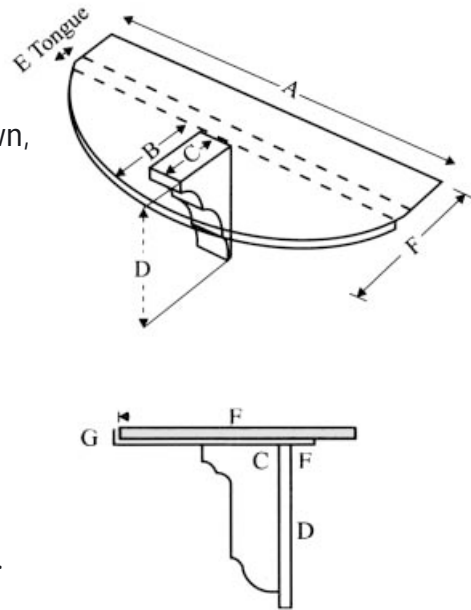
# MK 1 BASE UNIT SPECIFICATION

Fully moulded GRP base unit including attached gallows bracket. Made from strong rigid fibreglass, never rots or warps, fitted in minutes. A firm foundation for any bay window.

(Available in three shades of white, Chocolate Brown, Oak and Rosewood.

SIZE	A	B	C	D	E	F	G
<b>1800 BASE</b> INC. 1 BRACKET	2130	210	150	330	50	530	20
<b>2400 BASE</b> INC. 1 BRACKET	2440	370	230	330	50	650	20
<b>2800 BASE</b> INC. 2 BRACKET	2850	340	230	330	50	650	20

Example: 1800 base fits with 1800 Bow Canopy, etc.



# MK 2 BASE UNIT SPECIFICATION

This Mk 2 base unit has no equal. Years of research and development has born this double sided finished GRP base unit, moulded in one piece, no joints or seams, allowing you to fit a base unit and window board including sill all at the same time. Your window frames simply sit on top.

Frames can be either faced drained or concealed drained by packing the back edge of the frame with a bead, Fig 1.

Creating a beautifully finished internal and external sill in one step.

(Available in three shades of white, Chocolate Brown, Oak and Rosewood.

Most products are ex-works packed, ready for dispatch.

SIZE	A	B	C	D	E	F
<b>1800 MK 2 BASE</b> INC. 1 BRACKET	2180	30	150	330	40	510
<b>2400 MK 2 BASE</b> INC. 1 BRACKET	2670	30	230	330	40	660

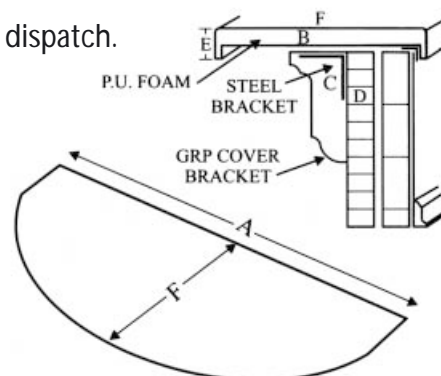
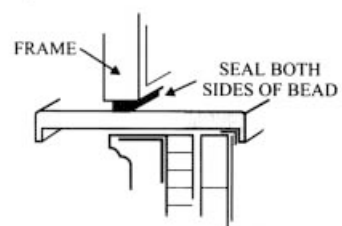


Fig. 1





# Victorian Winged Door Surround

*designed to make life easier!*



We have developed a unique design enabling the winged ends of the surround to be extended to suit your application.

This allows you the flexibility to order this beautiful surround to fit your own door width.

Brighten up your garage with this version of our great looking surround in the Victorian Style.

*Also available in the flat-top Georgian style.*



- Beautiful Moulded Design
- Made in Strong Rigid Fibreglass
- Transforms any Doorway
- Available in 3 shades of White, Brown, Light Oak & Rosewood

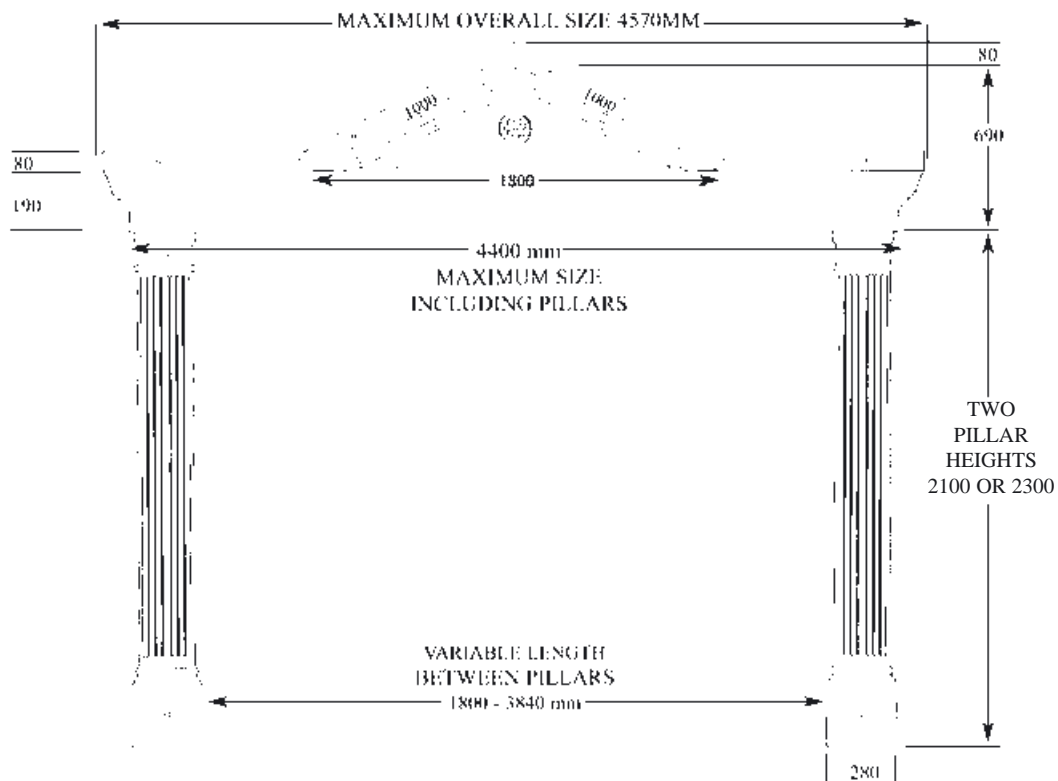
- Fast Easy Installation
- Totally Maintenance Free
- Delivered Approx' 7 Days
- Fully Guaranteed



*more flexibility, better by design*

Please see reverse for technical information

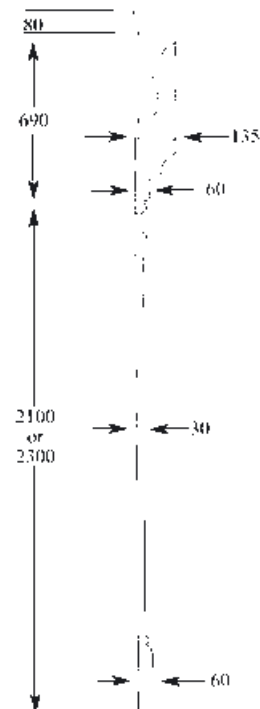
# VICTORIAN WINGED DOOR SURROUND



Variable length wing design allows for correct fitting over garage doors or door and window combinations.

Packer Boxes for alternative height requirements can be made to order.

Fast and easy installation is a feature of all our products.



## **Available in Various Colours:**

- 3 Shades of White: Standard, Ultra, Deeplas
- Light Oak • Chocolate Brown • Rosewood

*(The top edge can be supplied with a lead effect finish.)*

# Victorian Portico Door Surround

*designed to make life easier!*



Lead Top Option  
Shown



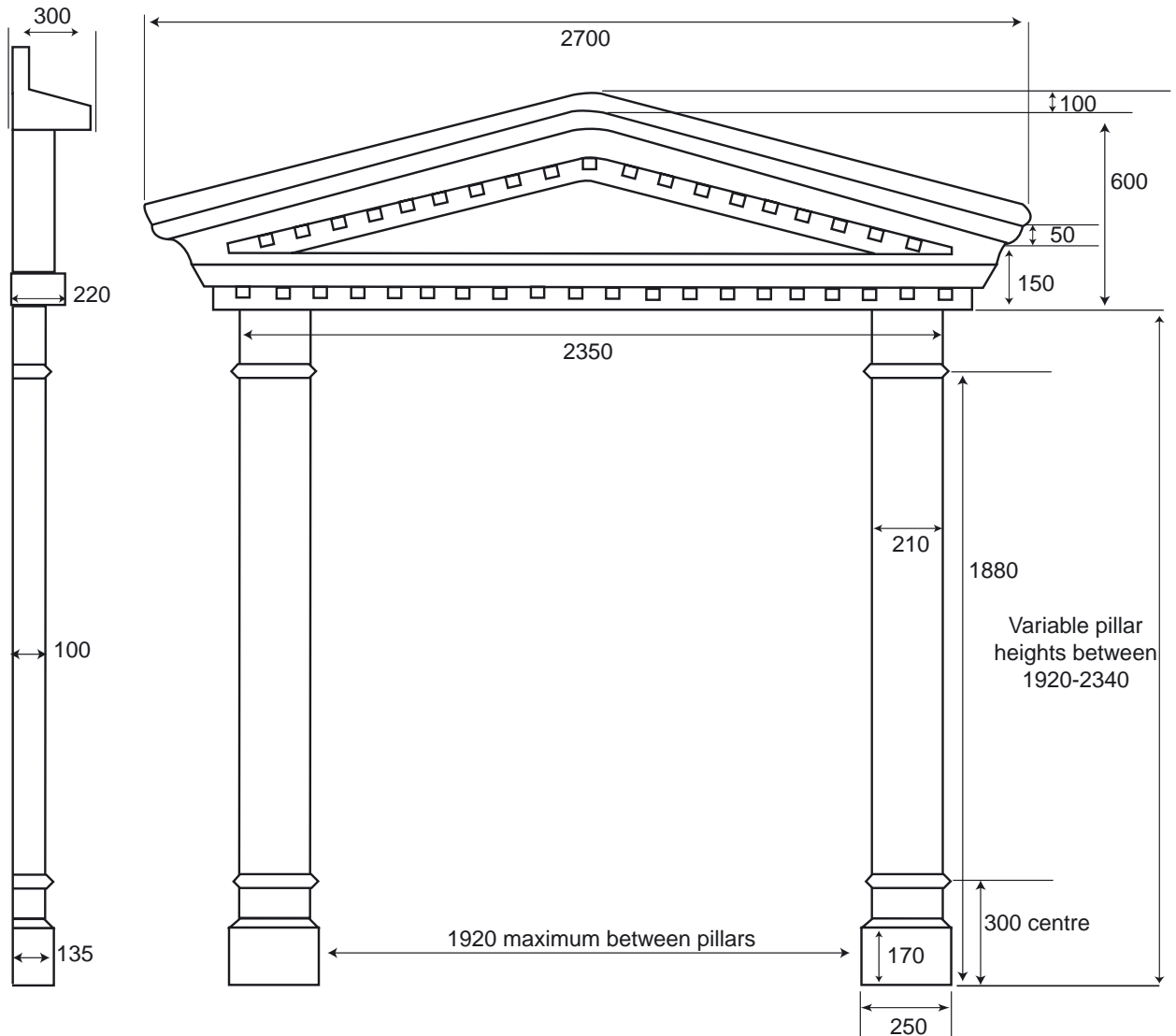
- Beautiful Moulded Design
- Made in Strong Rigid Fibreglass
- Transforms any Doorway
- Available in 3 shades of White, Brown, Light Oak & Rosewood
- Fast Easy Installation
- Totally Maintenance Free
- Delivered Approx' 7 Days
- Fully Guaranteed



*more flexibility, better by design*

Please see reverse for technical information

# VICTORIAN PORTICO DOOR SURROUND



*Manufactured in a Satin Finish*

**Available in Various Colours:**

- 3 Shades of White: Standard, Ultra, Deeplas
- Light Oak • Chocolate Brown • Rosewood

*(The top edge can be supplied with a lead effect finish.)*